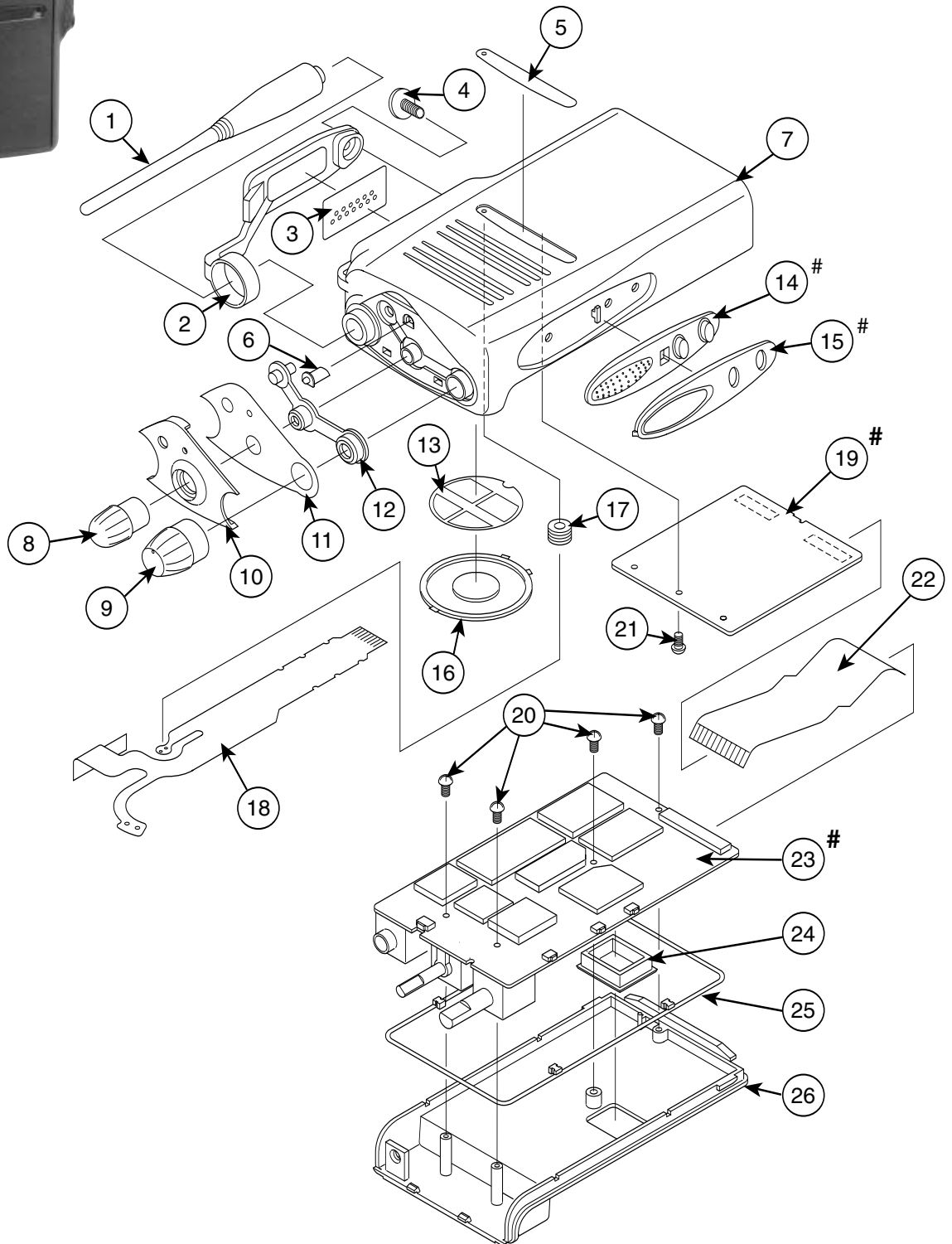


EX500 Series



Parts List



EX500 Series

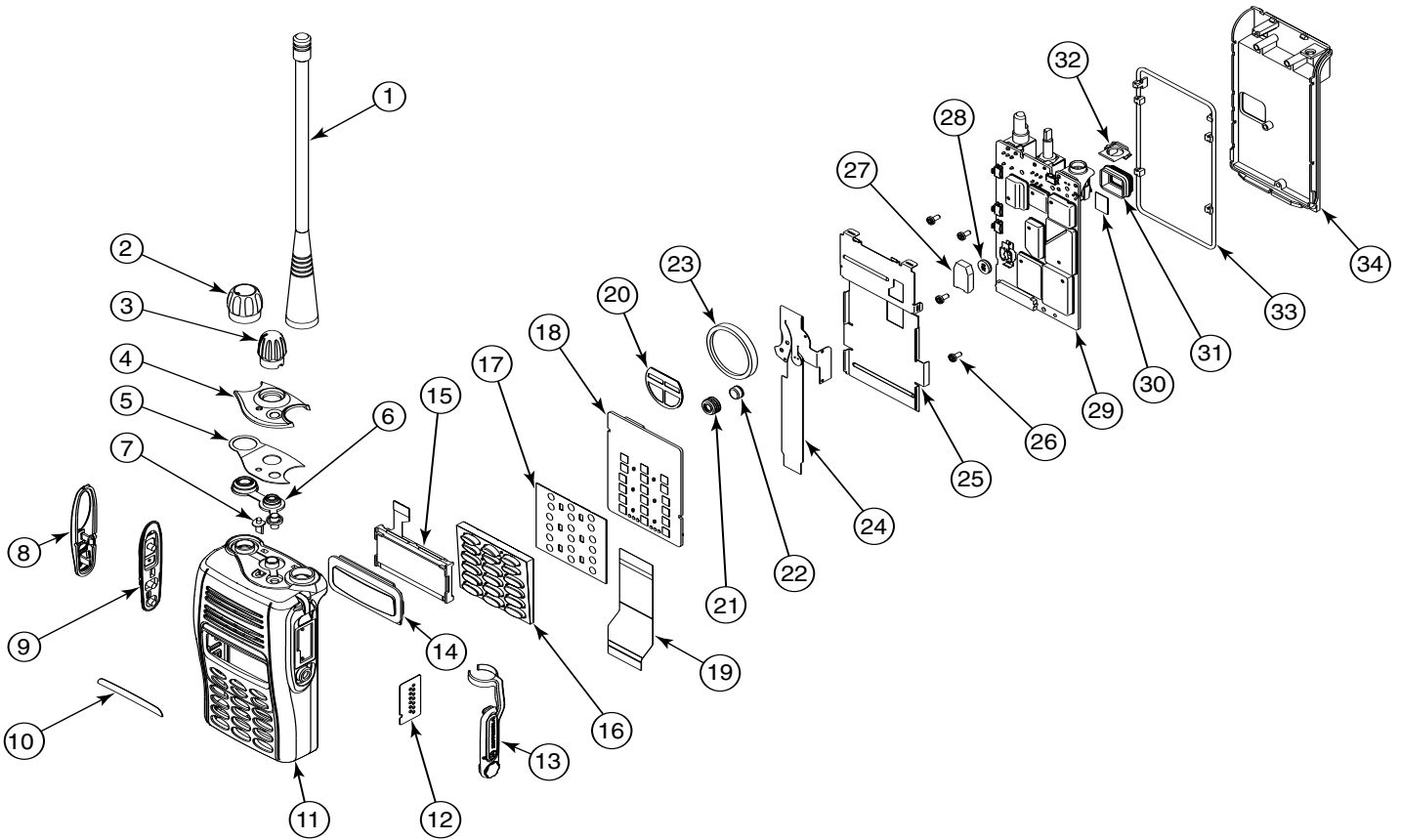
Parts List

| REF. NO. | PART NO. | DESCRIPTION | REF. NO. | PART NO. | DESCRIPTION |
|----------|-------------------|------------------------------------|----------|-------------------|------------------------|
| 1 | ---- | Antenna (refer to antenna section) | 14 | Part of item 7 | PTT Rubber |
| 2 | JMLN4638A | Dust Cover | 15 | Part of item 7 | PTT Plastic Cover |
| 3 | 1385905Z01 | Universal Connector Seal | 16 | 5005679X01 | Speaker |
| 4 | 0302020P03 | Screw for Dust Cover | 17 | 1480577C01 | Boot Microphone |
| 5 | HKLN4054A | EX500 Name Plate | 18 | 8404079G05 | Flex PCB Universal |
| 6 | 6102001P10 | Light Pipe | 19 | ---- | |
| 7 | 0104031G98 | EX500 Non Key Housing | 20 | 0385913Z02 | 4 M2x4 Philips Screws |
| 8 | 3680530Z02 | Frequency Knob | 21 | 0385913Z02 | 1 M2x1 Philips Screws |
| 9 | 3680529Z01 | Volume Knob | 22 | 8404078G03 | Flex PCB RF Controller |
| 10 | 1302012P06 | Top Plastic Plate | 23 | ---- | |
| 11 | 3385906Z01 | Top Sheet | 24 | 3280534Z01 | Seal Contact |
| 12 | 3202000P15 | Top Seal Rubber | 25 | 3285892Z01 | "O" ring |
| 13 | 3502416P03 | Speaker Mesh | 26 | 1502001P31 | Chassis |

EX600/600•XLS Series



Parts List



EX600/600•XLS Series

Parts List

| REF. NO. | PART NO. | DESCRIPTION | REF. NO. | PART NO. | DESCRIPTION |
|----------|-------------------|---|----------|-------------------|--------------------------------------|
| 1 | ---- | Antenna (refer to antenna section) | 19 | 8404078G03 | Flex RF Controller |
| 2 | 3680529Z01 | Volume Knob | 20 | 3586092Z01 | Speaker Felt |
| 3 | 3680530Z02 | Channel Selector Knob | 21 | 1480577C01 | Microphone Boot |
| 4 | 1386160Z01 | Top Plastic Plate (EX600) | 22 | 5013920A04 | Microphone |
| | 1386160Z02 | Top Plastic Plate (EX600•XLS) | 23 | 5086094Z01 | Speaker |
| 5 | 3385906Z01 | Top Sheet | 24 | 8486095Z01 | Flex, Universal Connector |
| 6 | 3286159Z01 | Control Top Seal | 25 | 4286097Z01 | Keypad Retainer |
| 7 | 6186158Z01 | Lightpipe | 26 | 0386104Z01 | Chassis Screw |
| 8 | 1386091Z01 | PTT Bezel | 27 | 1480503Z01 | Backup Battery Boot |
| 9 | 7586090Z01 | PTT Rubber | 28 | 6080656Z01 | Battery Backup |
| 10 | HKLN4055A | EX600 Nameplate | 29 | ---- | RF Board (must order back cover kit) |
| | HKLN4187A | EX600•XLS Nameplate | 30 | 7580556Z01 | Thermal Pad |
| 11 | 1586088Z01 | Front Cover Assembly | 31 | 3280534Z01 | Battery Module Seal |
| 12 | 1385905Z01 | Escutcheon, Universal Connector | 32 | 1485673Z01 | Antenna Nut Insulator |
| 13 | JMLN4638A | Dust Cover | 33 | 3285892Z01 | Main "O" Ring |
| 14 | 7580540Z01 | LCD Front Pad | 34 | 2786154Z01 | Chassis |
| 15 | 5104949J11 | LCD Module | | | |
| 16 | 7586096Z01 | Main Keypad | | | |
| 17 | 4086199Z01 | Keypad Polydome | | | |
| 18 | ---- | Controller Board (must order front cover kit) | | | |

EX500/600/600•XLS Series

Portable Accessories

CHARGERS

Single and multi-unit chargers can rapidly charge batteries on or off the radio in one to three hours. Multi-unit chargers can be wall or rack mounted and are ideal for multi-shift operations. All chargers are specifically designed to meet the requirements of batteries manufactured by Motorola.

AAHTN3000D 120V Rapid Rate Single Unit Intellicharger

AAHTN3003D 120V Six-Unit Rapid Rate Charger

NLN7967A Wall Mount Kit for Six-Unit Charger



AAHTN3003D

Battery Optimizing System II (BOS II)



WPLN4124AR

No other battery analyzer matches the speed, accuracy, and versatility of the Battery Optimizing System II. Ideal for large fleet, public safety, and all other users who rely on their battery performance. Now with increased power, more sophisticated programming options, and easier to use navigation paths, optimizing your batteries was never easier. Key features include:

- Support for NiCd, NiMH, Li-ion, and SLA batteries
- 100 watt power supply and programmable from 100 mA to 4 amps per station
- Interchangeable adapters accommodate all major brands
- Includes a variety of user programs and allows for customizable programming
- Proprietary recondition cycle restores NiCd and NiMH batteries
- Increased processing power and testing resolution – including a three minute Quicktest that measures the batteries State of Health (SoH)
- Printer output for reports and labels
- Three year warranty

WPLN4124AR BOS II, Four-Station, 100-240V AC (US line cord)

WPLN4125AR BOS II, Four-Station, 100-240V AC (UK/Euro line cords)

BOS II Adapter Plates

RL-77255 Adapter Plates

EX500/600/600•XLS Series

Portable Accessories

Carrying Accessories

Carrying Cases

A variety of carrying accessories is available for your comfort and convenience. The carrying cases are available in sizes to fit your radio and battery and permit audio to be heard clearly.

EX500 Carrying Cases

PMLN4421B Soft Leather Carry Case with Fixed Swivel Clip – The case protects the radio while allowing audio to be clearly heard

PMLN4471A Hard Leather Carry Case with Swivel and D-Rings

PMLN4470A Nylon Case with Belt Loop and D-Rings



PMLN4421B

EX600 Carrying Cases

PMLN4520A Hard Leather Carry Case with Swivel and D-Rings

PMLN4521A Soft Leather Carry Case with fixed Swivel Clip and D-Ring



JMZN4023A

Carrying Accessories

JMZN4023A Plastic Carry Hoster with Swivel Belt Clip – lightweight carry holster provides convenient means for carrying the radio; the swivel belt clip provides the ability to rotate the radio to a comfortable position

JMZN4020A Radio Handstrap – attaches to the radio allowing it to be worn around the wrist

HLN9985B Waterproof Bag, includes large carrying strap

Belt

4200865599 1.75" wide leather belt

Shoulder Carry Strap

NTN5243A Shoulder Carry Strap attaches to D-strap rings on carry cases to provide added comfort

Carrying Accessories

Carry Packs

HLN6602A Universal Chest Pack with Radio Holder and Velcro Secured Pocket

1505596Z02 Replacement Strap for HLN6602A



HLN6602A



RLN4570A

RLN4570A Break-A-Way Chest Pack. All the same features as the original chest pack (HLN6602A) plus break-a-way tabs that allow the entire pack to be pulled off with approximately 10 lbs. Of pressure. Perfect for railroads, manufacturing locations construction sites and anywhere safety is a concern



RLN4815A

RLN4815A RadioPAK™ Radio/Utility Case. It's different from all other holders or cases: more comfortable, more useful and more stylish. Worn around the waist, it holds two-way, iDEN portables or cellular phones right at hand. Includes a separate 6"x 8" zippered pouch for other on-the-job necessities. Adjustable nylon weave belt; fits both men and women

4280384F89 Universal RadioPAK™ Belt Lengthener; Fits Waists Larger than 40"

EX500/600/600•XLS Series

Portable Accessories

Audio Accessories

Remote Speaker Microphones (RSM)

Allows the user to talk and listen without removing the radio from the belt, case or charger. This water resistant compact unit has a coiled cord, PTT switch and back cover clothing clip.

***JMMN4073A** Remote Speaker Microphone with 2.5mm audio jack

PMLN4393A Flexible Ear Receiver with 2.5mm connector for use with remote speaker microphone JMMN4073A



Epaulet Strap

Black leather epaulet strap secures remote speaker microphone to epaulet of shirts or jackets and attach around cord to back of microphone. Allows reliable communications in hostile environments with velcro or clip style strap.

RLN4294A Velcro epaulet strap

RLN4295A Small clip epaulet strap



Audio Accessories

Completely Discreet Earpiece

Remain discretely in touch with this miniaturized receiver. All messages received through the user's two way radio are inductively relayed to the wireless earpiece in the user's ear. Inductive neckloop is easily hidden under the user's clothing for covert operations. Neckloop attaches to the user's Motorola surveillance kit providing completely discrete two way communications. Security operatives, public safety officials, and private investigators can communicate with ease without any visible equipment. Small as it is, it offers a full range of audio functions including automatic squelch, automatic gain control and noise filtering. Must be used in conjunction with a Motorola surveillance kit. Just remove the earpiece on any standard 2- or 3-wire surveillance kit and plug in the neckloop for completely discrete communication.

RLN4922A Completely Discreet Earpiece Kit; includes wireless earpiece, inductive neckloop, 6 spare batteries and 5 spare ear wax guards

RLN4919A Ear Wax Guards, 5 per pack

RNN4005A 1.4V Battery, 6 per pack



* Intrinsically safe

EX500/600/600•XLS Series

Portable Accessories

Audio Accessories

Ear Microphone System (EMS)

This compact unit picks up the voice through bone vibrations in the ear canal. The miniature earpiece leaves hands free and face unobscured when worn by rescue and hazard protection personnel, who still retain the ability for direct hearing and speaking. For personnel required to wear breathing apparatus, communications with protective masks are as clear as communications without. And its high speech clarity under noisy environments makes it ideal for high noise environments.



JMMN4064A

***JMMN4064A** PTT or Voice Activated Interface Module

***BDN6768A** Standard Ear Microphone (for noise levels up to 95dB)–Black. Requires JMMN4064A



BDN6768A

***BDN6769A** Standard Ear Microphone (for noise levels up to 95dB) – Beige. Requires JMMN4064A

***BDN6770A** High Noise Level Ear Microphone (up to 105dB)– Gray. Requires JMMN4064A

Audio Accessories

Ear Microphone Accessories



0180358B38

***0180358B38** Finger Push-To-Talk Switch



0180300E83

***0180300E83** Body Push-To-Talk Switch



0180300E25

0180300E25 Earguard with Adjustable Loop; secures ear mic in ear

0180358B32 Earholder, black size small; secures ear mic in ear

0180358B33 Earholder, black, size medium; secures ear mic in ear

0180358B34 Earholder, black, size large; secures ear mic in ear

0180358B35 Earholder, clear, size small; secures ear mic in ear

0180358B36 Earholder, clear, size medium; secures ear mic in ear

0180358B37 Earholder, clear, size large; secures ear mic in ear

4280369E44 Replaceable Belt Clip with Screws

5080358B28 Eartips, black, size medium (10 per pack)

5080358B29 Eartips, black, size large (10 per pack)

5080358B30 Eartips, beige, size medium (10 per pack)

5080358B31 Eartips, beige, size large (10 per pack)

General Audio Accessories

***PMLN4519A** Earbud with Microphone and PTT combined, transmit and receive, black (2-wire); no adapter required

Accessory Audio Adapter

The accessory audio adapter with 3.5mm plug allows Visar audio accessories to be used with the EX500 and EX600 radios

***PMLN4455A** Accessory Audio Adapter with 3.5mm plug

** Intrinsically safe*

EX500/600/600•XLS Series

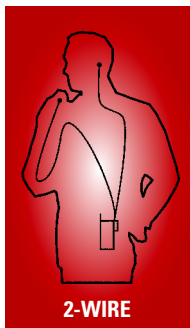
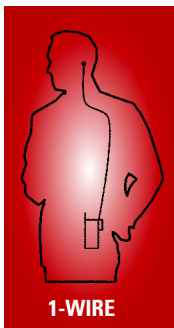
Portable Accessories

Audio Accessories

Surveillance Kits

Surveillance accessories allow the user to privately receive communications with the earpiece and are ideal when environments require discrete communications. Surveillance Kits require PMLN4455A Audio Adapter

- ***BDN6664A** Receive-only Earpiece (1-wire), beige
- *†**BDN6665A** Receive-only Earpiece (1-wire), beige
- *†**BDN6666A** Receive-only Earpiece with volume control (1-wire), beige
- ***BDN6726A** Receive-only Earpiece (1-wire), black
- *†**BDN6727A** Receive-only Earpiece (1-wire), black
- ***BDN6728A** Receive-only Earpiece with volume control (1-wire), black
- ***BDN6667A** 2-wire Surveillance Kit with combined microphone and PTT button, beige
- ***BDN6729A** 2-wire Surveillance Kit with combined microphone and PTT button, black
- *†**BDN6669A** Earpiece Assembly with microphone and PTT combined (2-wire), beige
- *†**BDN6731A** Earpiece Assembly with microphone and PTT combined (2-wire), black
- ***BDN6668A** 3-wire Surveillance Kit with separate microphone and PTT button, beige
- ***BDN6730A** 3-wire Surveillance Kit with separate microphone and PTT button, black
- *†**BDN6670A** Earpiece Assembly with microphone and PTT separate (3-wire), beige
- ***BDN6732A** Earpiece Assembly with microphone and PTT separate (3-wire), black



Audio Accessories

Flexible Ear Receiver

***BDN6719A** Flexible Ear Receiver, black earpiece without volume control – flexible earloop and speaker which rests external to the ear; requires PMLN4455A audio adapter

Pellet Style Earpieces

- ***BDN6780A** Single Earbud with combined Mic/PTT; requires PMLN4455A audio adapter
- ***BDN6781A** Single Earbud Receive-only, black; requires PMLN4455A audio adapter

Noise Kits

- NTN8370A** Extreme Noise Kit Acoustic Tube; requires PMLN4455A audio adapter
- NTN8371A** Low Noise Kit Acoustic Tube; requires PMLN4455A audio adapter

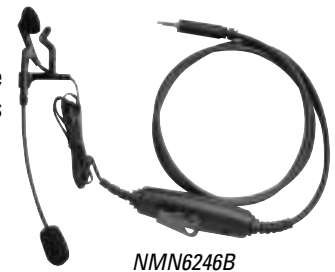
Lightweight Headsets



This headset allows for high clarity discreet two-way communications while adding the comfort necessary for extended wear in moderate noise environments

- ***JMMN4066A** Lightweight Headset with Boom Microphone and In-Line PTT (no adapter required)
- RLN5590A** Lightweight Headset with Boom Microphone (no adapter required)

- ***NMN6245A** Ultralite Headset with Boom Microphone and In-Line PTT, earbud-style receiver; requires PMLN4455 audio adapter
- ***NMN6246B** Ultralite Headset with Boom Microphone and In-Line PTT; requires PMLN4455 audio adapter



† Extra Loud Earpiece (exceeds OSHA limits)
* Intrinsicly safe

EX500/600/600•XLS Series

Portable Accessories

Audio Accessories

Heavy Duty Headsets

Heavy duty headsets include noise cancelling boom microphones and can be worn with or without a hardhat. The push-to-talk switch is located on the earcup.



BDN6635B

BDN6635B Voice-activated headset with boom microphone; requires adapter cable RKN4093A; noise reduction rating = 24 dB



BDN6636B

BDN6636B Voice-activated headset with throat microphone; requires adapter cable RKN4093A; noise reduction rating = 24 dB



BDN6645A

BDN6645B Push-to-talk headset with boom microphone; requires adapter cable RKN4093A; noise reduction rating = 24 dB

Audio Accessories

Racing Headset



Motorola is the official wireless equipment supplier of CART, so whether your playing field is a racetrack, construction site or other challenging environment, you can count on this racing headset for superior comfort and dependable operation.

RMN5015A Racing Headset; requires adapter cable RKN4093A; noise reduction rating = 24 dB

RKN4093A Radio Adapter Cable

Miscellaneous Audio Accessories

RLN4890A Assistive Turning Knobs. If your job requires you to wear large gloves, or if you have mobility or dexterity limitations, you will appreciate this added feature. Set of two specially designed knobs for volume control and channel changing.



RLN4890A

JMLN4638A Accessory Dust Cover – protects the audio side connector

EX500/600/600•XLS Series

Antennas, Batteries

Portable Antennas

Heliflex Antenna

Motorola Heliflex antennas are specifically engineered for maximum output and greatest communication coverage.

NAD6502AR VHF Heliflex Antenna, 146-174 MHz

Stubby Antenna

Stubby antennas are ideal when the radio is worn on the belt because the short antenna is non-obtrusive.

PMAD4012A

VHF 9cm Stubby Antenna, 136-155 MHz

PMAD4025A

VHF 9cm Stubby Antenna, 150-161 MHz

PMAD4013A

VHF 9cm Stubby Antenna, 155-174 MHz

PMAE4002A

UHF 9cm Stubby Antenna, 403-430 MHz

8504762J08

UHF 9cm Stubby Antenna, 438-470 MHz

PMAE4006A

UHF Stubby Antenna, 465-490 MHz



Flexible Whip Antenna

Flexible whip antennas have a one-piece finish and steel core for optimal radiation characteristics. Provides more comfort when radio is worn on the belt.

8504762J01

VHF Whip Antenna 136-155 MHz

PMAD4023A

VHF Whip Antenna 150-161 MHz

8504762J02

VHF Whip Antenna 155-174 MHz

NAE6483AR

UHF Flexible Whip Antenna 403-520 MHz

NAD6579A

Whip, 148-161 MHz



Portable Batteries

Lithium-ion Premium

Part Number: **JMNN4023AR**

Volts: 7.2

Avg. mAh: 1000

Height: 4"

Intrinsically Safe: No

Part Number: **JMNN4024BR**

Volts: 7.2

Avg. mAh: 1300

Height: 4"

Intrinsically Safe: No

Nickel Metal Hydride Premium

Part Number: **JMNN4025AR**

Volts: 7.5

Avg. mAh: 700

Height: 4"

Intrinsically Safe: Yes

EX500/600/600•XLS Series

Service Aids, Manuals

Service Aids

Test Set

Portable test set enables connection to audio/accessory jack. Allows switching from radio testing.

RLN4460C Test Box for Portables and Mobiles

Cables

AAJMKN4124A Cloning Cable

AAJMKN4123A Programming/Test Cable, Connects Radio to RIB

Radio Interface Box

Radio interface box enables communication between radio and computer's serial communications adapter.

RLN4008E Radio Interface Box (RIB)

3080369B72 9 Pin Computer Interface Cable, Connects Computer's Serial Communications Adapter to RIB



RLN4008E



0180357A57

0180357A57 Wall Mounted Power Supply, 120V AC, Used to Supply Power to RIB (RLN4008E)

Manuals

| | |
|-------------------|--|
| 6881094C00 | Basic Service Manual EX500/EX600/EX600•XLS |
| 6881093C98 | User Manual EX500 |
| 6881094C70 | User Manual EX600 |
| 6881094C21 | EX500/EX600/EX600•XLS Detailed Service Manual |
| 6881095C10 | EX600•XLS User guide |
| HKLN4118A | EX500 User manual |
| HKLN4119A | EX600 User manual |
| 0180305J46 | Ear Microphone System and Temple Transducer CD-ROM |

Programming Software

Due to licensing requirements, software cannot be ordered through the Motorola web site. At this time, please contact our representative by calling 1-800-422-4210 to place your order.

HVN9025L For EX Series Radios; Programs Customer Features/Frequencies (CPS CD-ROM format only)