

4.5 Pager Exploded Mechanical View and Parts Lists

4.5.1 MINITOR VI Exploded View and Parts List

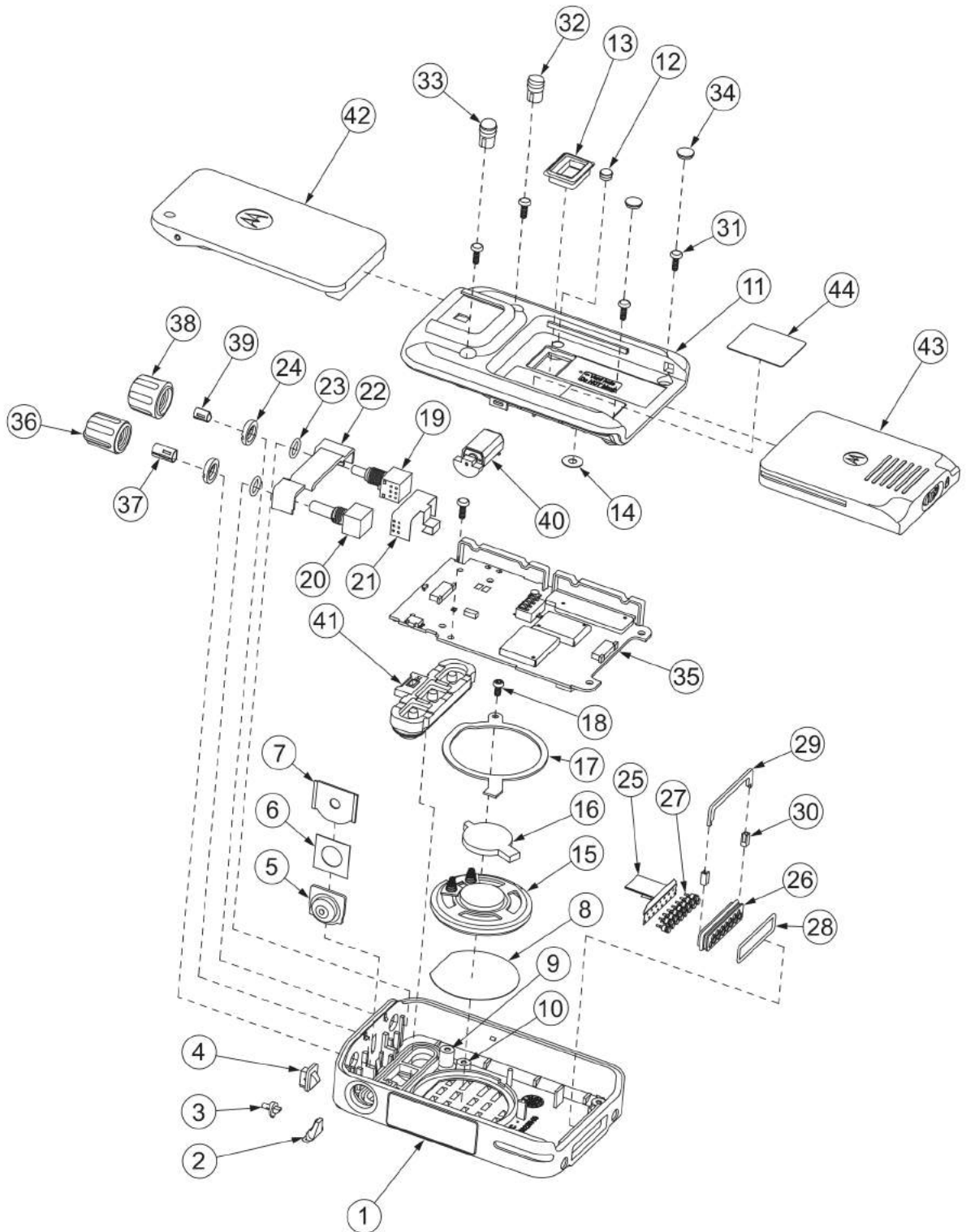


Figure 4-20. MINITOR VI Exploded View

Table 4-1. MINITOR VI Exploded View Parts List

Part Number	Description	Part Description	Item No.	Quantity
RHN1006_	COVER KIT, FRONT HOUSING	Front Housing	1	1
		Light Pipe Message	2	1
		Light Pipe Receive	3	1
		Light Pipe Batt	4	1
		Reset button	5	1
		Insulation Sheet	6	1
		Bracket Reset button	7	1
		Felt (SPK)	8	1
		Insert Screw 1	9	5
		Insert Screw 2	10	1
RHN1007_	BACK HOUSING KIT	Back Housing	11	1
		Connector Cap	12	1
		Sealing Batt. Terminal	13	1
		Ventilation Felt	14	1
RSN4006_	REPAIR, KIT, SPEAKER	Speaker	15	1
		Speaker Bumper	16	1
		Speaker Bracket	17	1
		(+) Machine Screw for Speaker	18	1
RLN6518_	SWITCH, KIT, SWITCH, VOL/CHN	Switch Volume	19	1
		CH Switch	20	1
		Flexible PCB	21	1
		Bracket Switch	22	1
		O-ring Switch	23	2
		Nut for Ch/Vol	24	2

Table 4-1. MINITOR VI Exploded View Parts List (Continued)

Part Number	Description	Part Description	Item No.	Quantity
RLN6519_	CONNECTOR STANDARD-AUDIO, MM, KIT, CONNECTOR, IO	Flexible PCB	25	1
		Housing IO	26	1
		Pin Terminal	27	15
		Sealing IO	28	1
		Bracket IO	29	1
		Bumper IO	30	2
RLN6520_	SCREW, KIT	(+) Machine Screw	31	5
		Rubber Cap_R	32	1
		Rubber Cap_L	33	1
		Rubber Cap-Small	34	2
		Connector Cap	12	1

Table 4-1. MINITOR VI Exploded View Parts List (Continued)

Part Number	Description	Part Description	Item No.	Quantity
RLN6514_	PCB Ass'y (VHF), IS, Single Channel	PCB (VHF), IS, SGL (RLD1048_)	35	1
RLN6515_	PCB Ass'y (VHF), Non IS, Single Channel	PCB (VHF), Non IS, SGL (RLD1047_)		
RLN6516_	PCB Ass'y (VHF), IS, Five Channel	PCB (VHF), IS, Five (RLD1050_)		
RLN6517_	PCB Ass'y (VHF), Non IS, Five Channel	PCB (VHF), Non IS, Five (RLD1049_)		
RLN6528_	PCB Ass'y (UHF1), IS, Single Channel	PCB (UHF1), IS, SGL (RLE1124_)		
RLN6529_	PCB Ass'y (UHF1), Non IS, Single Channel	PCB (UHF1), Non IS, SGL (RLE1125_)		
RLN6530_	PCB Ass'y (UHF1), IS, Five Channel	PCB (UHF1), IS, Five (RLE1122_)		
RLN6531_	PCB Ass'y (UHF1), Non IS, Five Channel	PCB (UHF1), Non IS, Five (RLE1123_)		
RLN6532_	PCB Ass'y (UHF2), IS, Single Channel	PCB (UHF2), IS, SGL (RLE1120_)		
RLN6533_	PCB Ass'y (UHF2), Non IS, Single Channel	PCB (UHF2), Non IS, SGL (RLE1121_)		
RLN6534_	PCB Ass'y (UHF2), IS, Five Channel	PCB (UHF2), IS, Five (RLE1118_)		
RLN6535_	PCB Ass'y (UHF2), Non IS, Five Channel	PCB (UHF2), Non IS, Five (RLE1119_)		
RLN6536_	PCB Ass'y (UHF3), IS, Single Channel	PCB (UHF3), IS, SGL (RLE1116_)		
RLN6537_	PCB Ass'y (UHF3), Non IS, Single Channel	PCB (UHF3), Non IS, SGL (RLE1117_)		
RLN6538_	PCB Ass'y (UHF3), IS, Five Channel	PCB (UHF3), IS, Five (RLE1114_)		
RLN6539_	PCB Ass'y (UHF3), Non IS, Five Channel	PCB (UHF3), Non IS, Five (RLE1115_)		
RLN6521_	KNOB KIT, CHANNEL	CH Knob	36	1
		D Spring (4.0)	37	1
RLN6522_	KNOB KIT, VOLUME	Volume Knob	38	1
		D Spring (3.5)	39	1

Table 4-1. MINITOR VI Exploded View Parts List (Continued)

Part Number	Description	Part Description	Item No.	Quantity
RLN6523_	VIBRATOR KIT	Vibrator	40	1
RLN6524_	KEYPAD KIT	Front Keypad	41	1
RLN6509_	MINITOR VI BELT CLIP	Belt Clip	42	1
PMNN4438_	LI-ION Battery Pack (IS)	IS Li-Ion	43	1
PMNN4451_	LI-ION Battery Pack (Non IS)	Non- IS Li-ion		
LB000117A01	IS Label, MINITOR VI	IS Label (Motorola Repair Center only)	44	1
LB000118A01	Non IS Label, MINITOR VI	Non- IS Label		