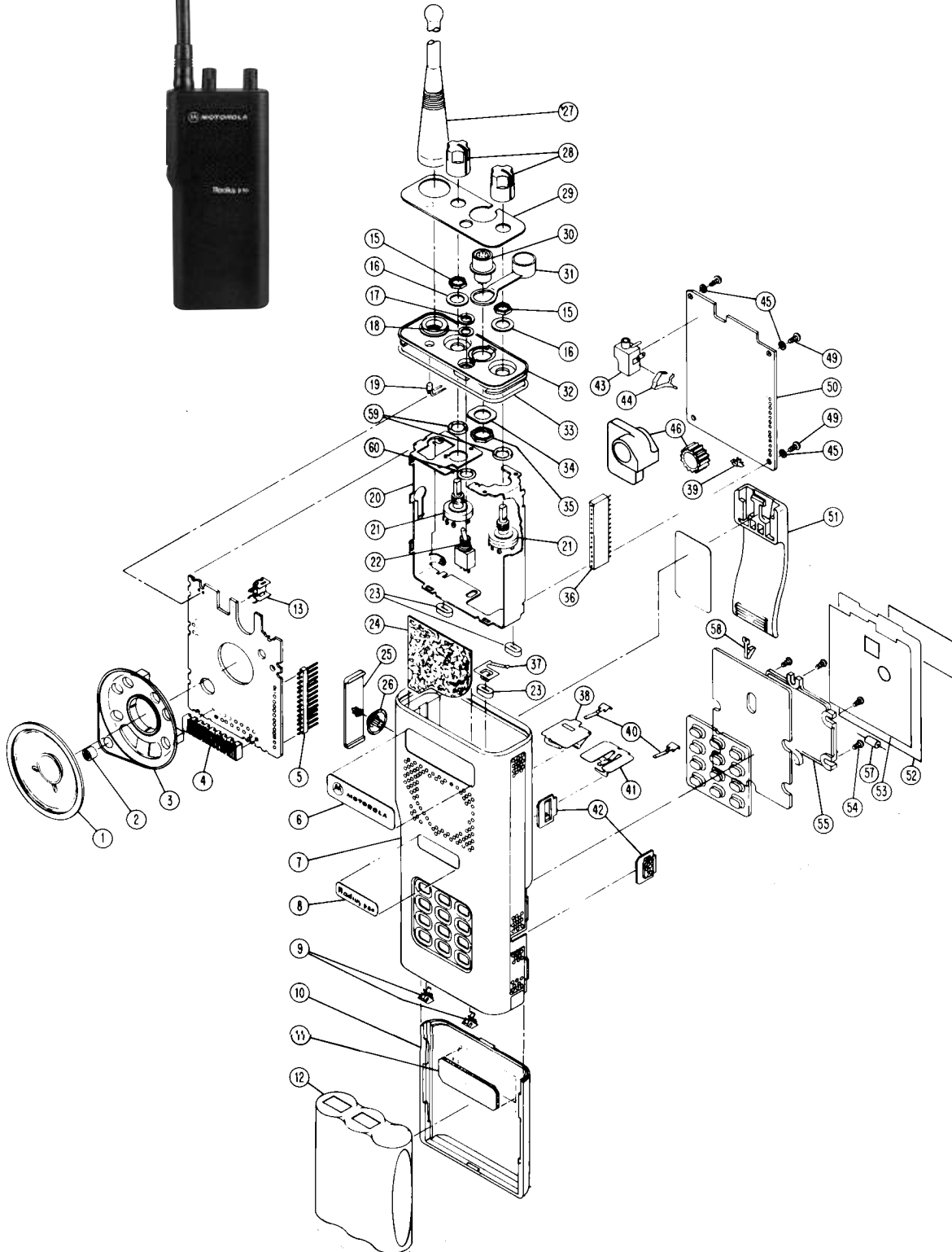


# P10 Series

## Parts List



***Replacement parts may no longer be available***

# P10 Series

## Parts List

REF. NO.	PART NO.	DESCRIPTION	REF. NO.	PART NO.	DESCRIPTION
1	<b>0180701Y91</b>	Speaker, 28 ohm	29	<b>1305489S01</b>	Escutcheon, P10
2	<b>5005227J02</b>	Microphone	32	<b>1505281T03</b>	Control Top
3	<b>4205344S01</b>	Retainer, Microphone/Speaker	33	<b>3205082E77</b>	"O" Ring, Control Top
4	<b>0905348T01</b>	Audio/Option Interconnect	34	<b>0405216L04</b>	Washer, Accessory Connector
5	<b>2805542S01</b>	Plug, 14-Pin	35	<b>0205765L03</b>	Nut, Accessory Connector
6	<b>1305540S01</b>	Label, Motorola	36	<b>0905539S01</b>	Jack, 14-Pin
	<b>1305540S02</b>	Label, Private	37	<b>3905741S01</b>	Contact, B+ PCB
7	<b>1505276T01</b>	Housing, Low Power	38	<b>3905736S01</b>	Contact, Battery; Negative
8	<b>1305541S02</b>	Label, Radius P10	39	<b>4205474P03</b>	Clip, B+ Transceiver Board
9	<b>3905354S01</b>	Contact, Charging	40	<b>3905497S01</b>	Clip, Frame
10	<b>1505279T01</b>	Cover, Battery	41	<b>3905740S01</b>	Contact, Battery B+
11	<b>1105668K66</b>	Pad, Battery	42	<b>5505284T01</b>	Latch, Battery
12	<b>HNN9044AR</b>	Battery Pack, Six Cell	43	<b>0905511S02</b>	Jack, RF
13	<b>4005286S01</b>	Switch, PTT	44	<b>3905337T01</b>	Contact, Antenna
15	<b>0205629L02</b>	Nut, Potentiometer	45	<b>0405683D04</b>	Lockwasher
16	<b>0405162Q02</b>	Washer, Potentiometer	46	<b>2605642S01</b>	Heatsink
17	<b>0205163Q01</b>	Nut, Toggle Switch Spanner	49	<b>0300136782</b>	Screw, Frame
18	<b>0400139507</b>	Washer, Toggle Switch	51	<b>HLN9115A</b>	Belt Clip
19	---	LED	52	<b>8405690S04</b>	PCB, Battery
21	<b>1805509S01</b>	Potentiometer	53	<b>1105707S07</b>	Adhesive, Battery PCB
22	---	Switch, Toggle – notavailable	54	<b>0305073P01</b>	Screw, Option Board
23	<b>3205530S01</b>	Seal, Frame	55	<b>3205572T01</b>	Washer, Option Board
24	<b>3505488S01</b>	Felt, Speaker	57	<b>4880388B70</b>	Diode, Battery PCB
25	<b>4505283T01</b>	Lever, PTT	58	<b>3905860S01</b>	Contact, Option Board
26	<b>3805296S01</b>	Actuator, PTT	59	<b>3205082E01</b>	Seal, Potentiometer
27	<b>NAE6483AR</b>	Antenna, UHF	60	<b>3205141Q03</b>	Seal, Toggle Switch
28	<b>0105951N79</b>	Knob, Potentiometer			

**Cancelled Product P10: Aftermarket support criteria has been met for spare parts. Items may no longer be available.**

# P10 Series

## Portable Accessories

### Chargers

#### Single Unit Chargers

Single unit Chargers are best suited for small system users, or users without centralized charging facilities.



HTN9046DR

**HTN9046DR** Single Unit Charger, Standard Rate, 117V

**HTN9026CR** Single Unit Charger, Rapid Rate, 117V

**HTN9342A** Single Unit Charger, Standard Rate, 220V, European Plug

**HTN9425B** Single Unit Charger, Rapid Rate, 220V European Plug



HTN9295B

**HTN9295B** Multi-Unit charger Conversion Kit. Provides a convenient means for housing from 1 to 6 single unit battery chargers. Each charger operates independently. Approved for use with HTN9046 and HTN9026 only. This is not a multi-unit charger.

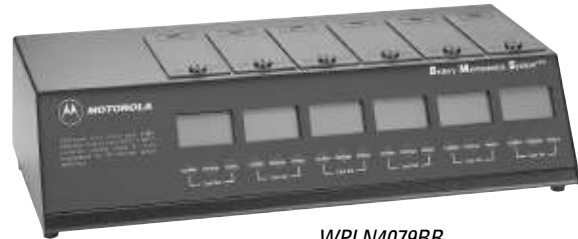
### Battery Maintenance System<sup>plus</sup> (BMS<sup>plus</sup>)

Using interchangeable battery adapters (sold separately), the BMS<sup>plus</sup> is capable of charging and discharging, analyzing, conditioning and cycle test on batteries; tracking battery voltage and capacity (mAh).

The BMS<sup>plus</sup> offers a 3 year warranty. Its easy-to-use design supports hundreds of 2-way, cellular, and camcorder batteries with printer port\* (Serial-RS-232C port – uses female 9-pin to male 25-pin cable).

**WPLN4079BR** Six-Station, 110V AC, 50/60 Hz

**WPLN4080BR** Six-Station, 230V AC, 50/60 Hz



WPLN4079BR

#### BMS<sup>plus</sup> Adapters

**TDN9446A** Standard Adapter, 4 and 5 Watt P10, 630-650 mAh

**TDN9447A** Standard Adapter, 2 Watt P10, 550 mAh

# P10 Series

## Portable Accessories

### Battery Optimizing System II (BOS II)



WPLN4124AR

No other battery analyzer matches the speed, accuracy, and versatility of the Battery Optimizing System II. Ideal for large fleet, public safety, and all other users who rely on their battery performance. Now with increased power, more sophisticated programming options, and easier to use navigation paths, optimizing your batteries was never easier. Key features include:

- Support for NiCd, NiMH, Li-ion, and SLA batteries
- 100 watt power supply and programmable from 100 mA to 4 amps per station
- Interchangeable adapters accommodate all major brands
- Includes a variety of user programs and allows for customizable programming
- Proprietary recondition cycle restores NiCd and NiMH batteries
- Increased processing power and testing resolution – including a three minute Quicktest that measures the batteries State of Health (SoH)
- Printer output for reports and labels
- Three year warranty

**WPLN4124AR** BOS II, Four-Station, 100-240V AC (US line cord)

**WPLN4125AR** BOS II, Four-Station, 100-240V AC (UK/Euro line cords)

#### **BOS II Adapter**

**RL-71292** Standard Adapter, P10

### Motorola Conditioning Charger (MCC)

The MCC will help extend battery life and enhance battery operation. It will safely condition and charge your specified Nickel Cadmium (NiCd) and Nickel Metal Hydride (NiMH) cellular batteries in approximately an hour.



WPPN4002BR

**WPPN4002BR** 110V AC Base Charge Unit only

**WPPN4006AR** 220V AC Base Charge Unit only

**WPPN4008BR** 7 Volt Adapter only

**WPLN4092BR** MCC Kit, 110V AC; includes both base unit and 7V adapter

**WPLN4093BR** MCC Kit, 220V AC; includes both base unit and 7V adapter

**3080384G15** Cigarette Lighter Adapter Cord

**RLN4814A** Mounting Bracket for single unit conditioning charger

#### **MCC Multi-Unit Conditioning Charger**

**WPPN4065BR** Four-station Base, 110V. (Order adapter plates separately)



WPPN4065BR

# P10 Series

## Portable Accessories

### Carrying Accessories

#### Carrying Cases

A variety of carrying accessories are available for your comfort and convenience. The carrying cases are available in sizes designed to fit your radio & battery and permit audio to be heard clearly.



**HLN9147A** Nylon Carry Case, Low Power

**HLN9148A** Nylon Carry Case, High Power

**HLN9116A** Leather Carry Case with Belt Loop, Low Power

**HLN9146A** Leather Carry Case with Belt Loop, High Power

HLN9147A

#### Belt Clip

**HLN9115A** Belt Clip



HLN9115A

#### Belt

**4200865599** 1.75" wide leather belt

### Carrying Accessories

#### Shoulder Strap

**HLN9150A** Shoulder Strap



HLN9150A

#### Swivel Adapter

**HLN9149AR** Swivel Adapter for Leather Belt Loop Cases



HLN9149AR

#### Universal Carry Accessories

**HLN6602A** Universal Chest Pack with Radio Holder, Pen Holder and Velcro Secured Pocket



HLN6602A

**1505596Z02** Replacement Strap for HLN6602

**RLN4815A** Universal RadioPAK™ with Radio Holder. Worn around waist with adjustable belt. Includes attached 6" by 8" zippered pouch for other job necessities

**4280384F89** Universal RadioPAK™ belt lengthener; fits waists larger than 40"

**RLN4570A** Break-A-Way Chest Pack; all of the same features as the original chest pack (HLN6602A) plus break-a-way tabs that allow that allow the entire pack to be pulled off with approximately 10 lbs of pressure.

# P10 Series

## Portable Accessories, Antennas

### Audio Accessories



RLN4295A

#### Epaulet Strap

Black leather epaulet straps secure remote speaker microphones to epaulet of shirts or jackets and attach around cord. Allows reliable communications in hostile environments with clip style strap.

**RLN4295A** Epaulet Strap, Small Clip

**HMN9083D** Remote Speaker Microphone with Coiled Cord

### Portable Antennas

#### Heliflex Antennas

Motorola Heliflex antennas are specifically engineered for maximum output and greatest communication coverage.

**NAD6502AR**

Heliflex, 146-174MHz, 6"



NAD6502AR

**HAD9337A**

Heliflex, 163-175MHz, 5"

**8505816K24**

Heliflex, 403-430MHz, 3"

**8505816K25**

Heliflex, 440-470MHz, 3"



8505816K26

**8505816K26**

Heliflex, 470-512MHz, 3"

#### Flexible Whip Antenna

Flexible Whip antennas have a one-piece finish and steel core for optimal radiation characteristics. Provides more comfort when radio is worn on the belt.

**NAE6483AR**

Flexible Whip, 403-520MHz, 6"



NAE6483AR

# P10 Series

## Batteries, Service Tools

### Portable Batteries

#### Nickel-Cadmium Premium

Part Number: **HNN9027A**  
 Volts: 11.25  
 Avg. mAh: 630  
 Height: 3-3/8"  
 Intrinsically Safe: No



HNN9027A

Part Number: **HNN9044AR**  
 Volts: 7.5  
 Avg. mAh: 550  
 Height: 2-3/16"  
 Intrinsically Safe: No



HNN9044AR

Part Number: **HNN9233A**  
 Volts: 7.5  
 Avg. mAh: 550  
 Height: 2-3/16"  
 Intrinsically Safe: Yes

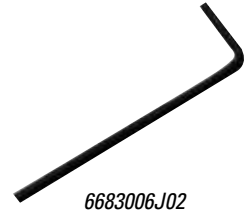
Part Number: **HNN9234A**  
 Volts: 11.25  
 Avg. mAh: 550  
 Height: 3-3/8"  
 Intrinsically Safe: Yes

### Service Tools

#### Tuning Tools

**6683006J02** Spline Wrench, for  
 Preselector Tuning Slugs

**6680343A15** Thin Blade Screwdriver, for  
 RF Power Amplifier Alignment



6683006J02

#### Torque Screwdriver



RSX4043A

**RSX4043A** Adjustable Torque  
 Screwdriver, Order Bits Separately

**6680371B03** Hex Socket Bit, for  
 Volume and Squelch Nuts

**6680370B95** Spanner Bit, for  
 Frequency Toggle Switch

**6680334B38** 1" Adapter  
 Extension, Required for  
 6680388A58, and 6605853S01

## ***P10 Series***

## ***Service Aids, Manuals***

### ***Service Aids***

#### ***RF Adaptor Cable***

RF Adapter Cable connects radio RF directly to test equipment.

**RKN4000A** RF Adapter Cable Terminated with BNC Female,  
Opposite End Fits Antenna Ferrule on Radio.

### ***Manuals***

#### **6881068C60**

Instruction Manual, 150.8-162 MHz High  
Band/VHF and 450-470 UHF/450