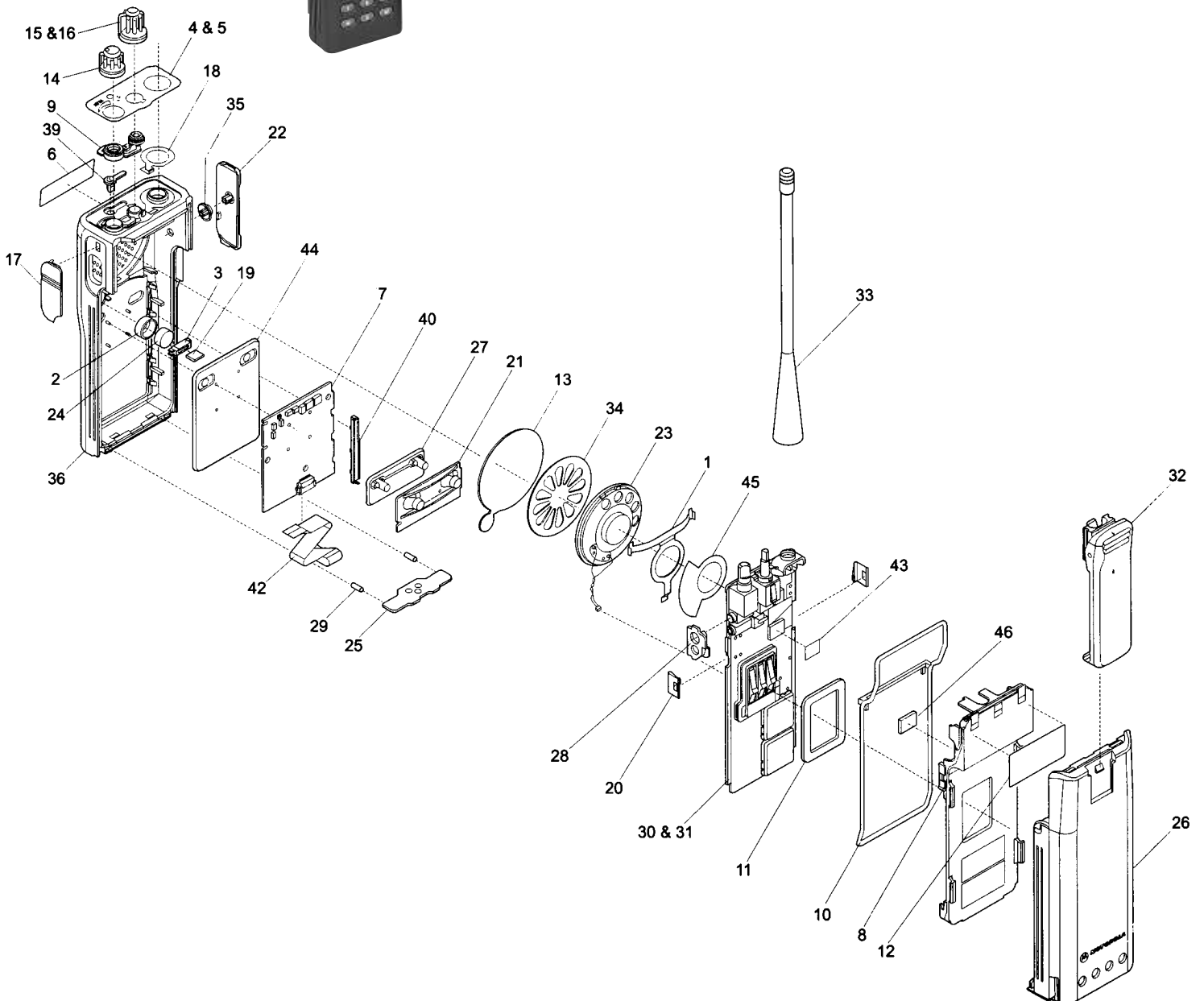


# P1225 Series

## Parts List



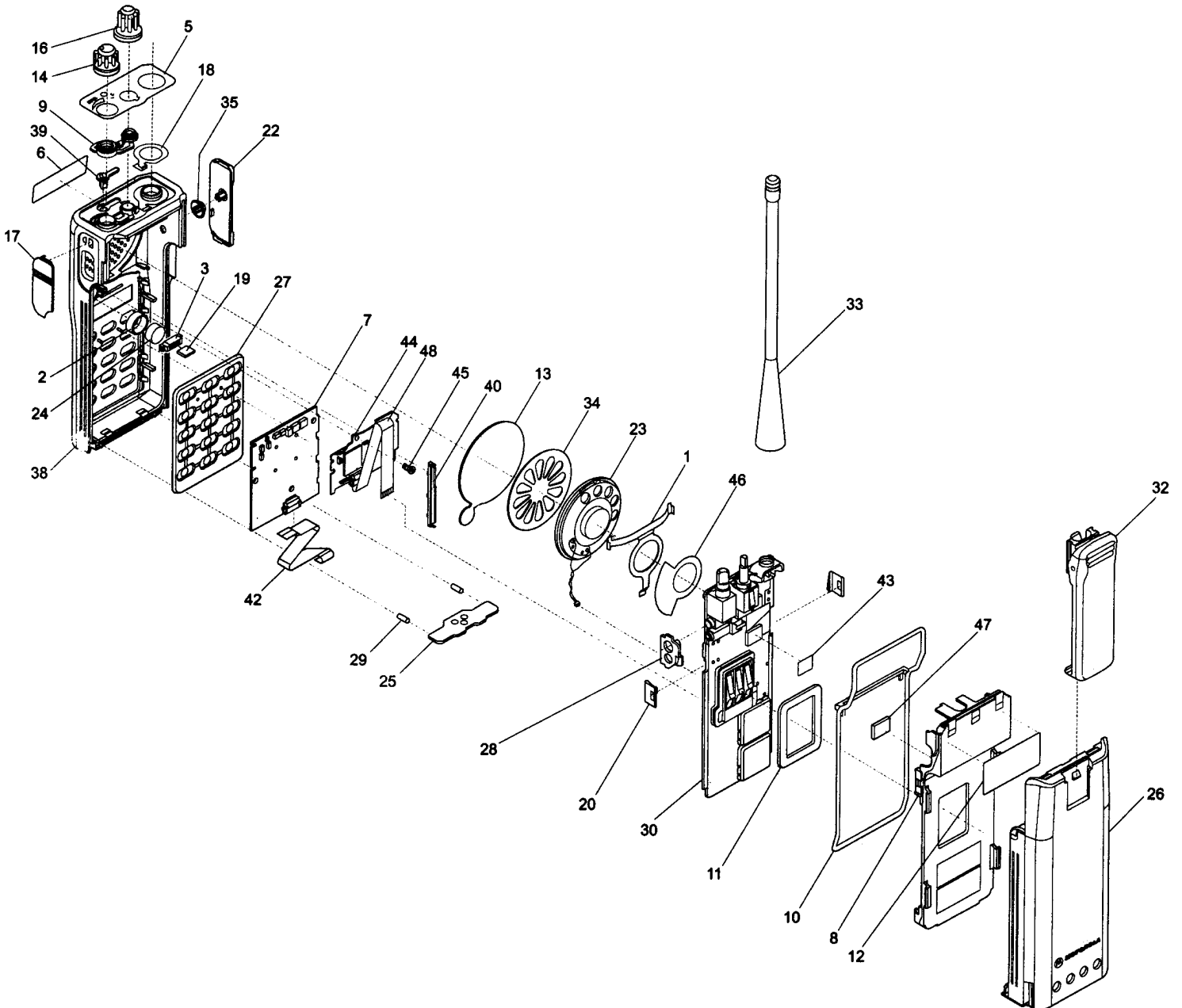
# P1225 Series

## Parts List

REF. NO.	PART NO.	DESCRIPTION	REF. NO.	PART NO.	DESCRIPTION
1	<b>0705470V01</b>	Retainer, speaker	22	<b>4580683E01</b>	Lever, PTT
2	<b>0780665E01</b>	Boot, microphone	23	<b>5080468U02</b>	Speaker
3	<b>0780693E01</b>	Connector, support, microphone	24	<b>5080455U01</b>	Microphone
4	<b>1380668E03</b>	Escutcheon, 2-channel	25	<b>5580462U01</b>	Latch, battery
5	<b>1380668E04</b>	Escutcheon, 16-channel	26	---	Battery Pack, NiCad
6	<b>1380670E01</b>	Escutcheon, nameplate	27	<b>7580686E01</b>	Keypad
7	---	Option Board Kit – not available	28	<b>0780552U02</b>	Plate, jack support
8	<b>2780675E03</b>	Chassis	29	<b>4105944K01</b>	Spring, battery latch; 2 used
9	<b>3280466U01</b>	Seal, control top	30	---	Board, UHF – not available
10	<b>3280677E01</b>	Seal, "O" ring	31	---	Board, VHF – not available
11	<b>3280678E01</b>	Gasket, battery interface	33	---	Antenna, standard – not available
12	---	Label, FCC – not available	34	<b>3502018X01</b>	Disk, speaker
13	<b>3580413U01</b>	Felt, speaker	35	<b>3880469U01</b>	Button, PTT
14	<b>3680461U01</b>	Knob, volume	36	<b>1580671E05</b>	Housing, basic
15	<b>3680584B01</b>	Knob, freq., 2-channel	39	<b>6180464U01</b>	Light Pipe
16	<b>3680584B05</b>	Knob, freq., 16-channel	40	<b>4280664U01</b>	Support, DTMF
17	<b>3880679E01</b>	Dust Cap	42	<b>3080512U05</b>	Cable, flex
18	<b>3980458U01</b>	Contact, rf ground	43	<b>1480616U02</b>	Pad, thermal, heatsink
19	<b>3980682E02</b>	Contact, microphone	44	<b>7580539U01</b>	Keypad (for option board)
20	<b>4280456U01</b>	Clip, chassis; 2 required	45	<b>7580506C02</b>	Pad, speaker
21	<b>4280490U01</b>	Retainer, keypad	46	<b>7580581V01</b>	Pad, xtal

# P1225•LS Series

## Parts List



# P1225•LS Series

## Parts List

REF. NO.	PART NO.	DESCRIPTION
1	<b>0705470V01</b>	Retainer, speaker
2	<b>0780665E01</b>	Boot, microphone
3	<b>0780693E01</b>	Connector, support, microphone
5	<b>1380668E05</b>	Escutcheon, control top
6	<b>1380670E02</b>	Escutcheon, nameplate
7	<b>HLN3065B</b>	Board, DTMF board
8	<b>2780675E03</b>	Chassis
9	<b>3280466U01</b>	Seal, control top
10	<b>3280677E01</b>	Seal, O-ring
11	<b>3280678E01</b>	Gasket, battery interface
12	---	Label, FCC
13	<b>3580413U01</b>	Felt, speaker
14	<b>3680461U01</b>	Knob, volume
16	<b>3680528V01</b>	Knob, freq.
17	<b>3880484V01</b>	Dust Cap
18	<b>3980458U01</b>	Contact, rf ground
19	<b>3980682E02</b>	Contact, microphone
20	<b>4280456U01</b>	Clip, chassis; 2 used
22	<b>4580683E01</b>	Lever, PTT
23	<b>5080468U02</b>	Speaker
24	<b>5080455U01</b>	Microphone
25	<b>5580462U01</b>	Latch, battery
26	<b>HNN9049A</b>	Battery Pack, NiCad
27	<b>7580498V01</b>	Keypad
28	<b>0780485V01</b>	Plate, jack support
29	<b>4105944K01</b>	Spring, battery latch; 2 required
30	---	Board, UHF – not available
33	---	Antenna, standard – not available
34	<b>3502018X01</b>	DISK, speaker
35	<b>3880469U01</b>	Button, PTT
38	<b>0180420V03</b>	Housing/Lens Assy.
39	<b>6180464U01</b>	Light Pipe
40	<b>4280664U01</b>	Support, DTMF
42	<b>3080512U02</b>	Cable, flex
43	<b>1480616U02</b>	Pad, thermal, heatsink
44	<b>0180433V01</b>	Board, display
45	<b>0380652V01</b>	Screw, 2.2 x 6mm
46	<b>7580506C02</b>	Pad, speaker
47	<b>7580581V01</b>	Pad, xtal
48	<b>3080512U02</b>	Cable, flex
<b>NON-REFERENCED ITEMS</b>		
	<b>3980671U01</b>	Pad, conductor

# P1225/P1225•LS Series

## Portable Accessories

### Chargers

Single unit chargers are available in either desktop or compact styles for small system users. Multiple unit chargers can be wall or rack mounted and are ideal for multi-shift operations. All chargers are specifically designed to meet the requirements of batteries manufactured by Motorola.

#### Single Unit Chargers, Rapid Rate



HTN9042A

**HTN9042A** Single Unit Intellicharger, 110V, (90 minute charge time for NiCd batteries)

**HTN9043A** Single Unit Intellicharger, 220V, European plug (90 minute charge time for NiCd batteries)

**HTN9044A** Single Unit Intellicharger, 240V, UK plug (90 minute charge time for NiCd batteries)

#### Single Unit Chargers, Standard Rate

**HTN9702A** 110V, 10 hour Standard Rate Charger

**HTN9804A** Single Unit Standard Charger, 220V, European plug

**HTN9805A** Single Unit Standard Charger, 240V, UK plug

**HLN9405B** Six-Unit Charger Conversion Kit, 120V

**HLN9406A** Six-Unit Charger Conversion Kit, 220V

**HLN9407A** Six-Unit Charger Conversion Kit, 240V



HTN9702A

#### Wall Mount Brackets

**HLN9293A** Wall Mount Bracket. For 90-Minute Multi-Unit Charger

**HLN9944A** Wall Mount Bracket for Multi-Unit Chargers

### Chargers

#### Multiple Unit Charger (MUC)

Multi-unit chargers offer six pockets that can be used to rapid charge 1 to 6 batteries simultaneously. The batteries can be charged with the radios or separately. Ideal for multi-shift operations.

**HTN9748C** 120V, 6-unit, 1 Hour Rapid Rate Charger (NiCd only)

**HTN9811C** 220V, 6-unit, 1 Hour Rapid Rate Charger, European plug (NiCd only)

**HTN9812C** 240V, 6-unit, 1 Hour Rapid Rate Charger, United Kingdom plug

**HTN9060A** 110V, 6-unit, 1 Hour Rapid Rate Charger (NiCd only)

**HTN9061A** 220V, 6-unit, 90 Minute Rapid Rate Charger, (NiCd only)



HTN9748C

#### Travel Charger

**RLN4833A** Travel Charger kit includes a cigarette lighter adapter attached to a rapid charger and mounting bracket. Allows radio to be used while it is charging.



RLN4833A

#### Travel Charger Mounting Bracket

**0780384K84** Universal Mounting Bracket for Travel Charger. Includes screws and nylon cord.

#### Travel Charger AC Transformer

Travel charger AC transformer adapts onto the cigarette lighter adapter cord to allow it to be plugged into an AC wall outlet for indoor use

**2580600E05** Transformer 120V (US)

**2580600E06** Transformer 230V (Euro)

**2580600E07** Transformer 230V (U.K.)

**2580600E08** Transformer 220V (Argentina)

# P1225/P1225•LS Series

## Portable Accessories

### Motorola Conditioning Charger (MCC)

The MCC will help extend battery life and enhance battery operation. It will safely condition and charge your specified nickel cadmium (NiCd) and nickel metal hydride (NiMH) batteries in approximately an hour.

**WPLN4084BR** Motorola Conditioning Charger Kit, 110V AC (includes base unit and 7V adapter)

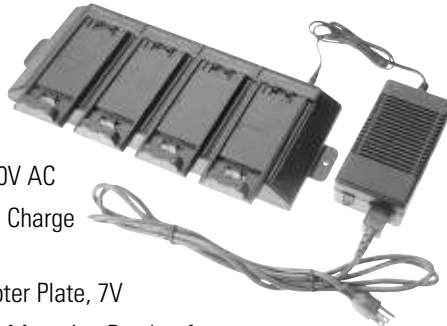


WPLN4084BR

**WPLN4085BR** Motorola Conditioning Charger Kit, 220V AC (includes base unit and 7V adapter)

**WPPN4065BR**

Four-Station Base, 110V (order adapter plates separately)



WPPN4065BR

**WPPN4002BR** Base Charge Unit Only, 110V AC

**WPPN4006AR** Base Charge Unit Only, 220V AC

**WPPN4020BR** Adapter Plate, 7V

**RLN4814A** Vehicular Mounting Bracket for single unit Motorola Conditioning Charger

### Vehicular Mounting

**RLN4814A** Vehicular Mounting Bracket and Hard Wire Cable for Single-Unit MCC. Includes DC Hard Wire Cable 3080384M21.

**3080384M21** DC Hard Wire Cable. For vehicular installation.

**3080384G15** Vehicular Power Adapter Cord

### Vehicular Charger Bracket



HLN9719A

**HLN9719A** Vehicular Charger Adapter/Bracket, 12V (for use with rapid rate chargers HTN9042, HTN9630, HTN9802 or HTN9803)

### Battery Maintenance System<sup>plus</sup> (BMS<sup>plus</sup>)

#### Increase the useful life of your batteries.

Using interchangeable battery adapters (sold separately), the BMSplus is capable of charging and discharging, analyzing, conditioning and cycle test on batteries; tracking battery voltage and capacity (mAh). The BMSplus offers a 3 year warranty. Its easy-to-use design supports hundreds of 2-way, cellular, and camcorder batteries with printer port\* (Serial-RS-232C port – uses female 9-pin to male 25-pin cable).



WPLN4079BR

**WPLN4079BR** Six-Station, 110V AC, 50/60 Hz

**WPLN4080BR** Six-Station, 230V AC, 50/60 Hz

**NDN4005B** 3-Station BMSPLUS, 110 Volt AC, 50/60 Hz. Does not support Li-ion or 3-cell batteries.

**NDN4006B** 3-Station BMSPLUS, 230 Volt AC, 50/60 Hz. Does not support Li-ion or 3-cell batteries.

**WPLN4085AR** BMS<sup>plus</sup> Li-ion Field Upgrade Kit. Upgrades WPLN4079AR, WPLN4080AR, WPLN4081AR

### BMS<sup>plus</sup> Adapter

**CDN6353A** Adapter, 7.5V, 110 mAh, for HNN9049A and HNN9050A batteries



CDN6353A

\*Compatible with the STAR Micronics SP200 series printers, available from any STAR Micronics distributor, and other printers with STAR emulation.

# P1225/P1225•LS Series

## Portable Accessories

### Battery Optimizing System II (BOS II)

No other battery analyzer matches the speed, accuracy, and versatility of the Battery Optimizing System II. Ideal for large fleet, public safety, and all other users who rely on their battery performance. Now with increased power, more sophisticated programming options, and easier to use navigation paths, optimizing your batteries was never easier. Key features include:



WPLN4124AR

- Support for NiCd, NiMH, Li-ion, and SLA batteries
- 100 watt power supply and programmable from 100 mA to 4 amps per station
- Interchangeable adapters accommodate all major brands
- Includes a variety of user programs and allows for customizable programming
- Proprietary recondition cycle restores NiCd and NiMH batteries
- Increased processing power and testing resolution – including a three minute Quicktest that measures the batteries State of Health (SoH)
- Printer output for reports and labels
- Three year warranty

**WPLN4124AR** BOS II, Four-Station, 100-240V AC (US line cord)

**WPLN4125AR** BOS II, Four-Station, 100-240V AC (UK/Euro line cords)

### BOS II Battery Adapter

**RL-75830** Adapter for NiCd battery HNN9049A

### Carrying Accessories

#### Carrying Cases

A variety of carrying accessories are available for your comfort and convenience. The carrying cases are available in sizes designed to fit your radio and battery and permit audio to be heard clearly.

#### Nylon Carry Cases

**HLN9416A** Nylon Carry Case with Belt Loop

#### Leather Carry Cases

**HLN9417A** Standard Leather Carry Case with Belt Loop and D-Rings (for use with shoulder strap)

**HLN9323A** Standard Leather Carry Case with Swivel



HLN9416A



HLN9417A



HLN9323A



# P1225/P1225•LS Series

## Portable Accessories

### Carrying Accessories

#### DTMF Carry Cases

**HLN9238A** DTMF Display  
Leather Carry Case with Swivel

**HLN9239A** DTMF Display  
Leather Carry Case with Belt  
Loop and D-Rings – for use  
with shoulder strap  
(P1225•LS, fits full and keypad  
radio models)

**RLN4804A** DTMF Display  
Leather Case with Swivel  
(fits standard 3-key portable)

**RLN4805A** DTMF Display  
Leather Case with Belt Loop  
(fits standard 3-key portable)



HLN9238A



HLN8414A

#### General Carry Cases

**HLN8414A** Chest Pack  
Carry Holder

**HLN9985B** Waterproof Bag,  
includes large carrying strap

#### Wrist Strap

**HLN8052A** Wrist Strap

#### Carrying Straps

**NTN5243A** Shoulder Carry Strap)

**HLN9973A** Replacement Strap for  
nylon and leather carry cases

**HLN9974B** Replacement Strap for  
carry cases (P1225 – for DTMF  
carry cases)

**HLN9015A** Replacement Strap for leather carry  
cases (for use with HLN9416, HLN9417, HLN9323,  
and HLN9239 carry cases)



NTN5243A

### Carrying Accessories

#### Belt Clips

**HLN9724A** 2-1/2" Belt Clip

**HLN8255B** 3" Spring Action Belt Clip

#### Belt

**4200865599** 1-3/4" wide leather belt for all models

#### Swiveller

**HLN9149AR** Swivel Belt Loop Adapter

**NTN8039B** 2-1/2" Swivel Belt Loop for  
leather cases (P1225 – same belt loop in  
the HLN9323 and HLN9238)

**NTN8040B** 3" Swivel Belt Loop

**4280483B03** Replacement Swivel Belt  
Loop 2-1/2" (for use with HLN9416,  
HLN9417, HLN9323, and HLN9239 carry cases)

**4205857B01** Replacement Belt Loop, Swivel 3" (for use with  
HLN9416, HLN9417, HLN9323, and HLN9239 carry cases)



HLN9149AR



# P1225/P1225•LS Series

## Portable Accessories

### Carrying Accessories

#### Chest Pack

Carry the radio mounted on chest with adjustable straps over shoulders and around waist.

**HLN6602A** Universal Chest Pack with Radio Holder, Pen Holder, and Velcro Secured Pouch

#### **1505596Z02**

Replacement Strap for HLN6602A/RLN4570A



HLN6602A



RLN4570A

#### Break-A-Way Chest Pack

All of the same features as the original chest pack (HLN6602A) plus break-a-way tabs that allow the entire pack to be pulled off with approximately 10 lbs. of pressure. Perfect for railroads, manufacturing locations, construction sites and anywhere safety is a concern.

**RLN4570A** Break-A-Way Chest Pack

#### RadioPAK™

**RLN4815A** Universal RadioPAK™ with Radio Holder. Worn around waist with adjustable belt. Includes attached 6" by 8" zippered pouch for other job necessities.

**4280384F89** Universal RadioPAK™ belt lengthener; fits waists larger than 40"



RLN4815A

### Carrying Accessories

#### Portable Radio Hangers

The portable radio holder slides over and hangs from the door panel in a vehicle. The radio's belt clip slides onto the portable hanger allowing convenient, easy mounting. Two sizes are available to fit door panels.



TDN9327A

**TDN9327A** Portable Radio Hanger for door panels up to 2.75"

**TDN9373A** Portable Radio Hanger for door panels 2.75" to 3.25"

#### Universal Holders

A great solution for forklift operators! The gooseneck bracket can be mounted inside the forklift and the height adjusted for each driver. The Wheelchair Quick Release can be easily mounted to a wheelchair. Accommodates any Motorola radio.

**RLN4943A** Universal Holder with Gooseneck Bracket

**RLN4944A** Wheelchair Quick Release Assembly

**RLN4945A** Universal Holder with Gooseneck Bracket and Wheelchair Quick Release Assembly

### Audio Accessories

#### Remote Speaker Microphone (RSM)

Allows you to talk and listen without removing the radio from the belt, case or charger. Ideal for high noise level environments. This water resistant compact unit has a coiled cord, PTT switch and back cover clothing clip.



HMN9030A

**HMN9030A\*** Remote Speaker Microphone

**HKN9094A** Replacement Coiled Cord for HMN9030A

\*Intrinsically safe

# P1225/P1225•LS Series

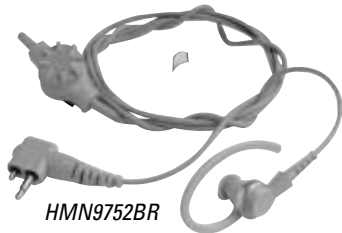
## Portable Accessories

### Audio Accessories

#### Surveillance Kits

Surveillance accessories allow the user to privately receive communications with the earpiece and are ideal when environments require discrete communications.

**HMN9727B\*** Receive-only Surveillance Kit, beige (single-wire)



HMN9752BR

**RLN4894A** Receive-only Surveillance Kit, black (single-wire)

**HMN9752B\*** Receive-only Surveillance Kit with Volume Control, beige (single-wire),

**HMN9754D\*** Surveillance Kit with Microphone and Push-To-Talk Combined, beige (two-wire),



HMN9754D

**RLN4895A** Surveillance Kit with Microphone and Push-To-Talk Combined, black (two-wire)

#### Surveillance Kit With Extended Wear Comfort Earpiece

Low-noise enhancement already attached for extra convenience. Users can hear transmissions clearly, while the clear tube provides a discreet appearance.

**RLN5317A** Two-Wire Comfort Earpiece with Combined Microphone and Push-to-Talk; beige

**RLN5318A** Two-Wire Comfort Earpiece with Combined Microphone and Push-to-Talk; black

#### Replacement Items

**5080370E97** Eartips Standard Clear

**5080369E40** Earloop, Plastic, Beige

**5080370E92** Earloop, Plastic, Black

**5880377E06** Plastic Earloop Adapter

**5080369E38** Standard Earpiece Assembly (includes Earphone, Earloop, and Eartip), Beige

**5080370E90** Standard Earpiece Assembly (includes Earphone, Earloop, and Eartip), Black

\* Intrinsicly safe



### Audio Accessories

#### Completely Discrete Earpiece Kit

Enables users to communicate with ease, in full privacy, without visible equipment. This miniaturized receiver is discretely hidden in ear, where it fits comfortably for long periods at a time. Small as it is, it offers a full range of audio functions including automatic squelch, automatic gain control and noise filtering. Average battery life is approximately 100 hours and includes an end-of-life battery circuit generating a warning signal when the battery needs to be changed.

Kit includes wireless receiver plus an inductive neckloop. Just remove the earpiece on any standard 2- or 3-wire Motorola surveillance kit (sold separately) and plug in the neckloop to use. Kit includes 6 spare batteries and 5 replacement ear wax guards.



RLN4922A

**RLN4922A** Completely Discrete Earpiece Kit

#### Replacement Items

**RLN4919A** Ear Wax Guards, 5 per pack

**RNN4005A** 1.4 Volt Battery, 6 per pack

# P1225/P1225•LS Series

## Portable Accessories

### Audio Accessories

#### Noise Kits

Lightweight translucent tube attaches to Motorola surveillance accessories. Clothing clip prevents the accessory from being pulled from the ear due to body movement or head rotation.

**NTN8370A** Extreme Noise Kit, includes 2 foam earplugs for loud environments, provides 24dB noise protection

**NTN8371A** Low Noise Kit, includes rubber eartip for low noise environments

**5080384F72** Replacement Foam Plugs; pack of 50 (for use with NTN8370A)

**5080370E97** Standard Rubber Eartips, Clear.

**5080369E39†** Extra Loud Earphone. Beige.

**5080370E91†** Extra Loud Earphone. Black.



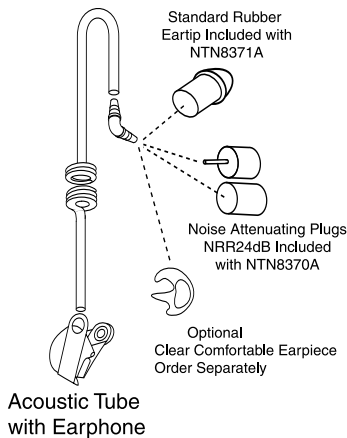
NTN8370A

#### Clear Comfortable Earpiece

The clear comfortable earpiece forms to the inside of your ear and is perfect for low noise environments. Compatible with the NTN8371A, clear acoustic tube assembly, and most surveillance kits (1-, 2- and 3-wire). This earpiece is made of easy-to-clean chemically inert, hypoallergenic material.

There are 3 items needed to make this product work:

1. Clear Comfortable Earpiece
2. Clear Acoustic Tube Assembly (NTN8371A)
3. Surveillance Kits



Acoustic Tube with Earphone

### Audio Accessories

**RLN4760A** Small Custom Earpiece, right ear

**RLN4763A** Small Custom Earpiece, left ear

**RLN4761A** Medium Custom Earpiece, right ear

**RLN4764A** Medium Custom Earpiece, left ear

**RLN4762A** Large Custom Earpiece, right ear

**RLN4765A** Large Custom Earpiece, left ear



RLN4760A

RLN4763A

#### Ear Microphone System (EMS)

This compact unit picks up the voice through bone vibrations in the ear canal. The miniature earpiece leaves the hands free and face unobscured when worn by rescue and hazard protection personnel, who still retain the ability for direct hearing and speaking. For personnel required to wear breathing apparatus, communications with protective masks are as clear as communications without. And its high speech clarity under noisy environments makes it ideal for high noise environments. Available in PTT or Voice Activated (VOX).



BDN6646C

**BDN6646C\*** Ear Microphone for standard noise levels (up to 95dB) with Push-To-Talk interface, (HLN8096 security clamp is recommended and must be ordered separately)

**BDN6706B\*** Ear Microphone for standard noise levels (up to 95 dB) with Push-to-Talk voice-activated interface module, (HLN8096 security clamp is recommended and must be ordered separately)

† Extra Loud Earphone exceeds OSHA limits.

\* Intrinsicly safe

# P1225/P1225•LS Series

## Portable Accessories

### Audio Accessories

#### Ear Microphone System (EMS) Accessories

**5080370E97** Standard Eartip, Clear

**0180358B38\*** Remote Push-to-Talk Switch for ear microphone system

**0180300E83** Body Switch Push-to-Talk for ear microphone system



0180358B38



0180358B33

**0180300E25** Earguard with Adjustable Loop

**0180358B32** Earholder, Black, Size Small

**0180358B33** Earholder, Black, Size Medium

**0180358B34** Earholder, Black, Size Large

**0180358B35** Earholder, Clear, Size Small

**0180358B36** Earholder, Clear, Size Medium

**0180358B37** Earholder, Clear, Size Large

**4280369E44** Replaceable Belt clip with Screws

**5080358B28** Eartips, Black, Size Medium (10 per pack)

**5080358B29** Eartips, Black, Size Large (10 per pack)

**5080358B30** Eartips, Beige, Size Medium (10 per pack)

**5080358B31** Eartips, Beige, Size Large (10 per pack)

**HLN8096A** Audio Accessory Security Clamp

#### Flexible Ear Receiver

**BDN6720A** Flexible Ear Receiver—earpiece without volume control (flexible earloop and speaker which rests external to ear), (HLN8096 security clamp is recommended and must be ordered separately)

**7580372E11** Replacement Foam Ear Cushion for BDN6720A

#### Pellet Style Earpieces

Allows the user to receive and transmit communication discretely

**HLN9132A** Receive-Only Earbud

**HMN9036A** Earbud with clip microphone and PTT

\* *Intrinsically safe*



### Audio Accessories

#### Add-On Retrofit Kits

**HLN3748A\*** DTMF Retrofit for 16 channel models (applicable on shipments after 3/15/92); Factory Mutual Approved radios must be returned to the depot for retrofitting

#### Ultra-light Headset

**RLN5411A\*** Designed with a sleek new look that fits right in with Restaurant and Hospitality industries. Lightweight, behind-the-head style design provides comfort and mobility. Includes flexible boom microphone and in-line push-to-talk button.



RLN5411A

#### Ultra-light Earpiece with Microphone and Push-To-Talk

**PMMN4001A** Small and lightweight, this earpiece clips comfortably to the ear and features a boom microphone and in-line PTT

#### Lightweight Headset



HMN9013A

**RMN4016A** Lightweight Single Muff Headset with Swivel Boom Microphone for left or right ear operation with in-line PTT button

**HMN9013B\*** Lightweight Adjustable Headset with Swivel Boom Microphone (HLN8096 security clamp recommended ordered separately; compatible with Internal VOX)

**REX4648A** Replacement Foam Earpad and Windscreen Kit for RMN4016A and HMN9013A

# P1225/P1225•LS Series

## Portable Accessories

### Audio Accessories

#### NFL Style Headsets

These single-muff headsets take styling cues from the Motorola headsets used by NFL coaches in football stadiums around the country. Ergonomically-designed for all-day comfort, they're ideal for both sports and special events. Features a noise canceling boom microphone and in-line Push-To-Talk. Large Motorola logo adds a sporty appearance.

**RLN5238A** NFL Style Lightweight Headset with Swivel Boom Microphone

**RMN5047A** Single-Muff, Heavy-Duty Headset with Swivel Boom Microphone



RLN5238A

#### Medium Weight Headsets

**\*HMN9021A** Medium Weight Dual Muff Headset, over the head noise reduction rating = 24dB (HLN8096 security clamp recommended ordered separately)



HMN9021A

**HMN9022A\*** Medium Weight Dual Muff Headset, behind the head (can be worn with helmet); noise reduction rating = 24dB (HLN8096 security clamp recommended ordered separately)



HMN9022A

#### Replacement Parts for HMN9021A and HMN9022A

- 7580376E34** Replacement Foam Earseals (1 pair)
- 1580376E32** Replacement Cloth Cover for Earseals (1 pair)
- 5080548E02** Replacement Windscreen for Boom Microphone
- 3280376E35** Replacement O-ring for windscreen
- 3080384L77** Replacement Cable
- 4204004K01** Replacement Adjustable Headstrap for HMN9022A

### Audio Accessories

**BDN6647G** Medium Weight Single Speaker Headset with Boom Microphone (HLN8096 security clamp recommended – order separately-comp with Internal VOX)

**5080371E66** Replacement Earpad for BDN6647

**3580371E59** Replacement Windscreen (for boom microphone) for use with BDN6647

#### Noise-Canceling Headsets with Boom Microphone

Ideal for two-way communication in extremely noisy environments. Dual-muff tactical headsets include two microphones on the outside of the earcups which reproduce the ambient sound back into the headset. Harmful sounds are suppressed to a safe level and low sounds are amplified up to 5 times the original level, but never more than 82dB(A). Includes on/off volume control on earcups and 3-foot curly cord. Easily replaceable earseals are filled with liquid and foam combination to provide excellent sealing and comfort. Requires separate in-line PTT adapter cable RKN4094A. Hardhat not included.



RMN4053A

**RMN4052B** Tactical Headband Style Headset, grey; noise reduction rating of 24dB

**RMN4053B** Tactical Hardhat Mount Headset, grey; noise reduction rating of 22dB

#### Racing Headset

Racing Headset - Same headset worn by pit crews on the CART racing circuit. Heavy Duty, behind the head Headset with Noise Cancelling Swivel Boom Microphone. Noise Reduction Rating = 24dB (adapter cable required and sold separately)

**RMN5015A** Racing Headset (Requires RKN4090A radio adapter cable)



RMN5015A



# P1225/P1225•LS Series

## Portable Accessories, Antennas

### Audio Accessories

#### Hardhat Mount Headset with Noise-Canceling Boom Microphone

Ideal for two-way communication in high-noise environments; mounts easily to hardhats with slots, excellent noise reduction of 22dB. Easily replaceable earseals are filled with liquid and foam combination to provide excellent sealing and comfort. 3-foot curly cord assembly. Requires separate in-line PTT adapter cable RKN4094A. Hardhat not included.

**RMN4051B** Two-Way Hardhat Mount Headset, black



RMN4051A

#### Adapter Cables

**RKN4094A** In-Line PTT Adapter Cable for GP300, SP50 and P1225 radios. For use with RMN4052B, and RMN4053A.

#### Replacement Earseals for Headsets

**RLN4923B** Includes Two Replacement Snap-In Earseals; recommended replacement interval is once every six months to ensure constant level of attenuation, hygiene and comfort. For use with RMN4051, RMN4052, and RMN4053.



BDN6648C

#### Heavy Duty Headset

**BDN6648C\*** Heavy Duty Headset with Noise Cancelling Boom Microphone, noise reduction rating = 24dB

### Portable Antennas

#### Heliflex Antenna

Motorola Heliflex antennas are specifically engineered for maximum output and greatest communication coverage.

**8505816K24** UHF Heliflex Stubby, 403-430 MHz, 3"

**NAE6522AR** UHF Heliflex Stubby, 440-470 MHz, 3"

**8505816K26** UHF Heliflex Stubby, 470-512 MHz, 3"

**HAD9338AR** VHF Heliflex, 136-150.8 MHz, 6"

**NAD6502AR** VHF Heliflex, 146-174 MHz, 6"



8505816K24



NAD6502AR

#### Tunable VHF antenna

Tunable VHF antenna kit gives the best coverage.

**HAD9728B** VHF Kit, 146-174MHz, 6"



HAD9728B

#### Stubby Antenna

This stubby quarterwave antenna is ideal when radio is worn on the belt because the short antenna is non-obtrusive.

**HAD9742A** Stubby, 146-162MHz, 3"

**HAD9743A** Stubby, 162-174MHz, 3"

#### Flexible Whip Antenna

Flexible Whip antennas have a one-piece finish and steel core for optimal radiation characteristics. Provides more comfort when radio is worn on the belt.

**NAE6483AR** Flexible Whip, 403-520MHz, 6"



HAD9743B



NAE6483AR

\* Intrinsicly safe



# P1225/P1225•LS Series

## Batteries, Service Aids

### Batteries

#### Nickel-Cadmium Premium

Part Number **HNN9049A**

Volts: 7.5

Avg. mAh: 1200

Height: 5-1/2"

Intrinsically Safe: No



HNN9049A

Part Number **HNN9050A**

Volts: 7.5

Avg. mAh: 1200

Height: 5-1/2"

Intrinsically Safe: Yes

#### Nickel Metal Hydride Premium

Part Number **HNN9051A**

Volts: 7.5

Avg. mAh: 1400

Height: 5-1/2"

Intrinsically Safe: No

Compatible only with Intellichargers.

### Service Aids

#### Programming Stand

**HLN9359A** Programming Stand

#### Radio Interface Box (RIB)

Links radio programming cable and computer interface together. Provides required voltage shift to enable communications between radio and computer. Requires computer interface cable, radio test and programming cable, and a 9 volt snap type battery (6088278J01), order separately.



RLN4008E

**RLN4008E** Radio Interface Box

#### Computer Interface Cable

Used to connect computer's serial adapter to Radio Interface Box.

**3080369B71** Cable, RIB to 25 pin D

**3080369B72** Cable, RIB to 9 pin D



3080369B71

#### Wall Mounted Power Supply

Used to supply power to the radio interface box, RLN4008E.

**0180357A57** Wall Mounted Power Supply, 110 Volts

**0180358A56** Wall Mounted Power Supply, 220 Volts



0180357A57



## **P1225/P1225•LS Series**

## *Service Aids, Manuals*

### **Service Aids**

#### ***AT to XT Computer Adapter***

**RLN4438A** Allows 3080369B72 to plug into a XT style communications port

#### ***Test Set Cable***

**RKN4034A** Connects radio to RTX4005 Test Box

#### ***Programming Software***

Utilizing your personal computer, this software enables you to add or reprogram the P1225 as your requirements change. Requires Radio Interface Box, proper cables, and programming stand order separately.

**HVN9054D** Programming Software (includes RSS Getting Started Manual and storage box)

#### **Minimum Platform Requirements**

- 80386 Microprocessor
- 4 MB of RAM
- HDD (Hard Disk Drive) 30 MB or higher
- Microsoft® Windows™ 3.1 or higher
- 1.44 MB 3.5 in FDD (Floppy Disk Drive)
- Two (2) serial ports
- One (1) parallel (printer) port

#### **Recommended Platform Requirements**

- 80486 Microprocessor
- 8 MB of RAM
- HDD 80 MB or higher
- Microsoft® Windows™ 3.1 or higher
- 1.44 MB 3.5 in FDD
- Two (2) serial ports
- Mouse or trackball
- One (1) parallel (printer) port

### **Manuals**

**6880904Z94**

Service Manual

**HLN9234B**

Operator Manual Kit